

Class-D Audio Power Amplifier with USB / I²S Interface

Features

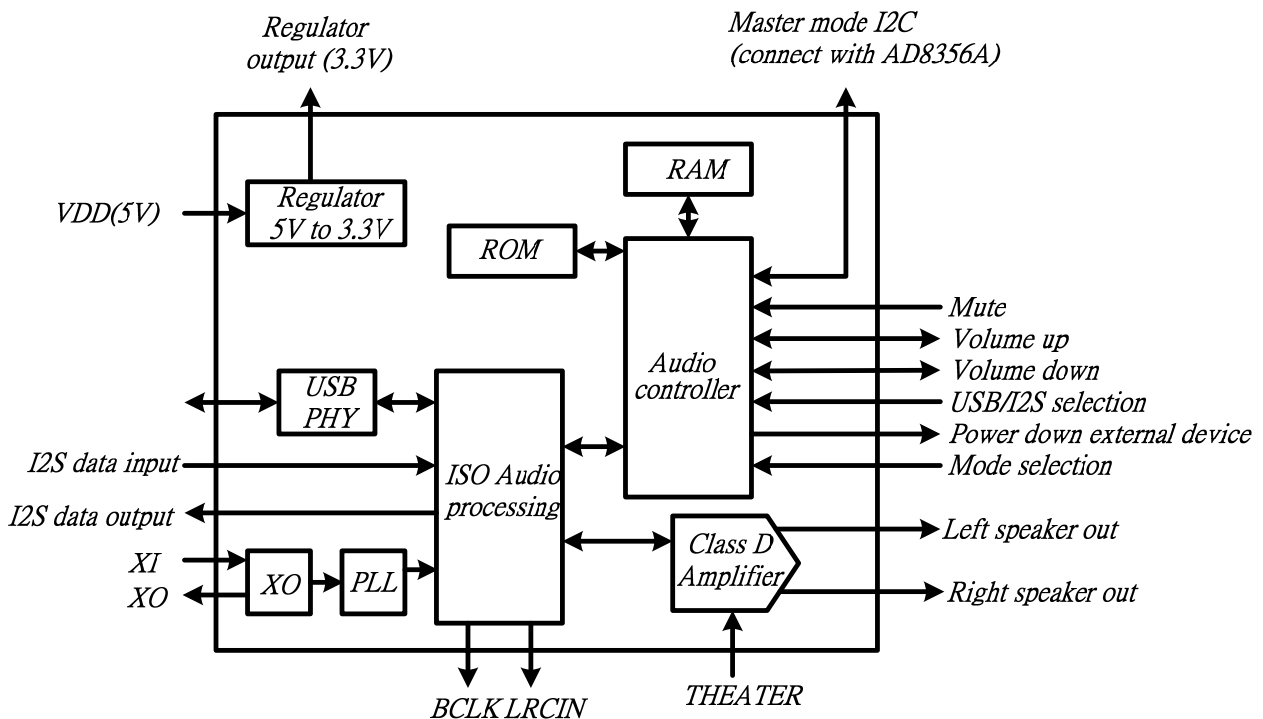
- Compliant with USB Specification v1.1, and USB 2.0 full speed
- Embedded high efficiency, high performance class D stereo amplifier
- Support I²S input and I²S output interface of master mode
Sampling frequencies(Fs) : 48kHz
- +6dB enhancement(Theater function)
- Support both bus-powered and self-powered operation
- Supports Win Me//2000/XP and MacOS
- True plug-and-play application, no driver is required for basic USB speaker application
- Support volume/mute control with external button
- Built-in 5V to 3.3V regulator for internal device operation
- Total efficiency
80% for 8Ω load @ -1dB 1kHz sine wave input
- Loudspeaker PSNR & DR (A-weighting)
80dB (PSNR), 78dB (DR) with Bead filter

- 82dB (PSNR), 78dB (DR) with Chock filter
- Anti-pop design
- Over-temperature protection
- Under-voltage shutdown
- Short-circuit detection
- 12 MHz Crystal Input
- 32-pin LQFP(Pb free)

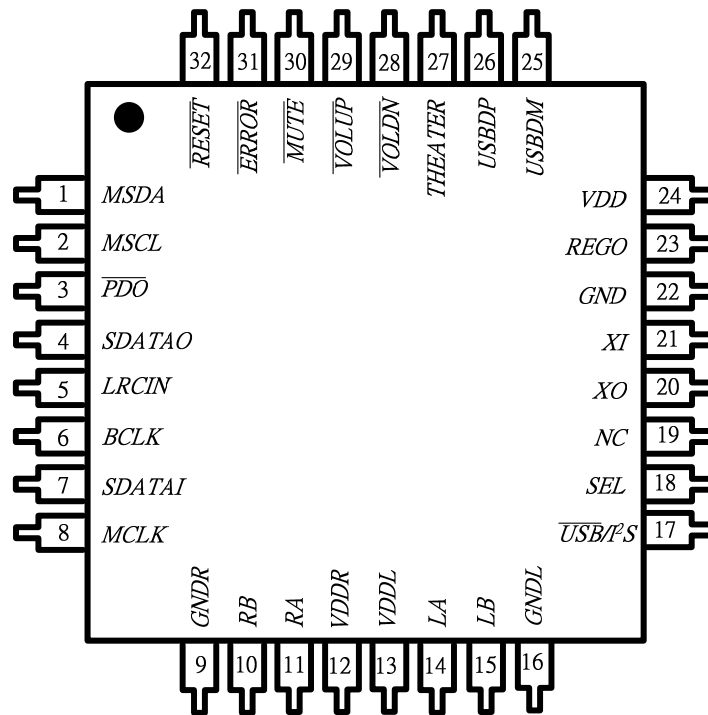
Description

AD62550A is a single chip of Class-D audio amplifier with USB/I²S interface. When using the power supplied from the USB port, AD62550A can drive a pair of up to 1W speakers due to the built-in, high efficiency and high performance class D amplifiers. The device also has an I²S input port and I²S output port. The I²S input port allows other external audio sources to use the class D amplifier to share the speakers. The I²S output port allows other high performance audio device (i.e. AD8356A/AD8256A) to be controlled by AD62550A.

Functional Block Diagram



Pin Assignment



Pin Description

Pin	Name	Type	Description	Characteristics
1	MSDA	I/O	I ² C's SDA of Master mode	Schmitt trigger TTL input buffer
2	MSCL	O	I ² C's SCL of master mode	
3	$\overline{P}DO$	O	Power-down output (Note1)	
4	SDATAO	O	Serial audio output (Note1)	
5	LRCIN	O	L/R clock output(Fs) (Note1)	
6	BCLK	O	BCLK output(64xFs) (Note1)	
7	SDATAI	I	Serial audio data input	Schmitt trigger TTL input buffer
8	MCLK	O	Master clock(256xFs)	
9	GNDR	P	Ground for right channel	
10	RB	O	Right channel output-	
11	RA	O	Right channel output+	
12	VDDR	P	Supply for right channel	
13	VDDL	P	Supply for left channel	
14	LA	O	Left channel output+	
15	LB	O	Left channel output-	
16	GNDL	P	Ground for left channel	

17	USB/I ² S	I	Low is USB mode, high is I ² S mode	Schmitt trigger TTL input buffer
18	SEL	I	Mode selection bit	Schmitt trigger TTL input buffer
19	NC	NC	No connection	
20	XO	O	Crystal output	
21	XI	I	Crystal input	
22	GND	P	Ground	
23	REGO	O	3.3V regulator output	
24	VDD	P	5V supply voltage	
25	USBDM	I/O	USB data D-	
26	USBDP	I/O	USB data D+	
27	THEATER	I	Theater mode, high active	Schmitt trigger TTL input buffer
28	VOLDN	I	Volume down, low active	With internal pull-up resistor
29	VOLUP	I	Volume up, low active	With internal pull-up resistor
30	MUTE	I	Power-down and mute of Class D	Schmitt trigger TTL input buffer
31	ERROR	O	Error output	Open-Drain output
32	RESET	I	Reset signal	Schmitt trigger TTL input buffer

Note1: Must be strapped resistor 1M Ω to 3.3V(REGO) or GND. BCLK, LRCIN and PDO must be strapped to GND. SDATAO is strapped to GND by 1M Ω when AD62550A's volume/mute is controlled by external button, otherwise strapped to 3.3V when AD62550A is I²C slave mode for SEL1 is logic LOW.

Absolute Maximum Ratings

Symbol	Parameter	Min	Max	Units
VDD	Supply for regulator input	0	5.5	V
VDDL(R)	Supply for Left (Right) Channel	0	5.5	V
V _i	Input Voltage	-0.3	3.6	V
T _{stg}	Storage Temperature	-65	150	°C
T _a	Ambient Operating Temperature	0	70	°C
	Voltage Difference between V _{DDL} and V _{DDR}	-1	1	V
	Voltage Difference between V _{DDL} (V _{DDR}) and DVDD/AVDD	-3	3	V
	V _{DDL} (V _{DDR}) Power-on Voltage Ramp		0.2	V/ μ s

Recommended Operating Conditions

Symbol	Parameter	Typ	Units
VDD	Supply for regulator input	4.5~5.5	V
VDDL(R)	Supply for Driver Stage	3.0~5.0	V
T _a	Ambient Operating Temperature	0~70	°C